

4

3

2

1

B

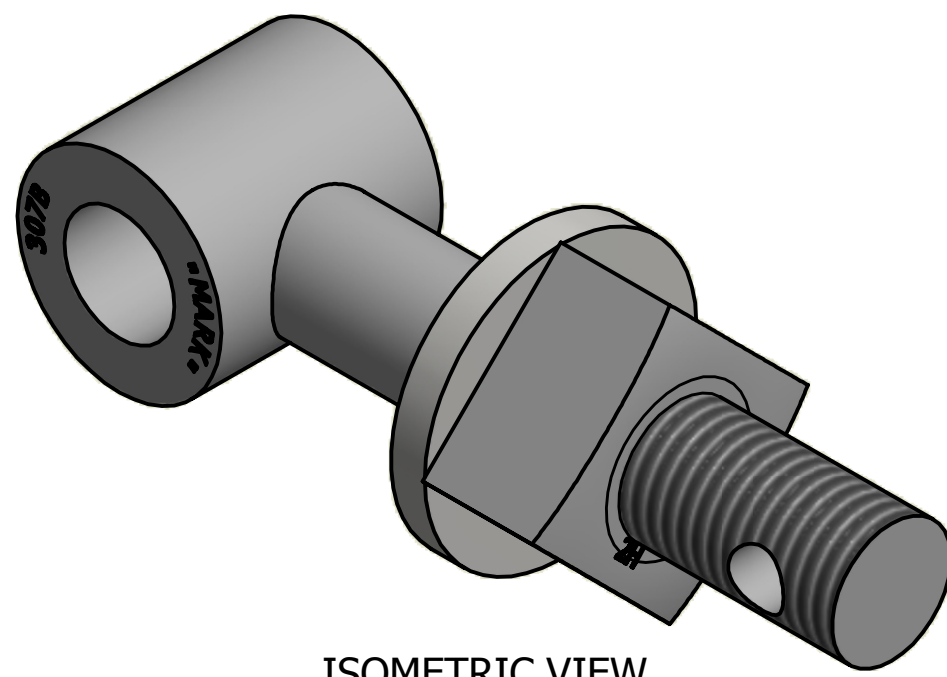
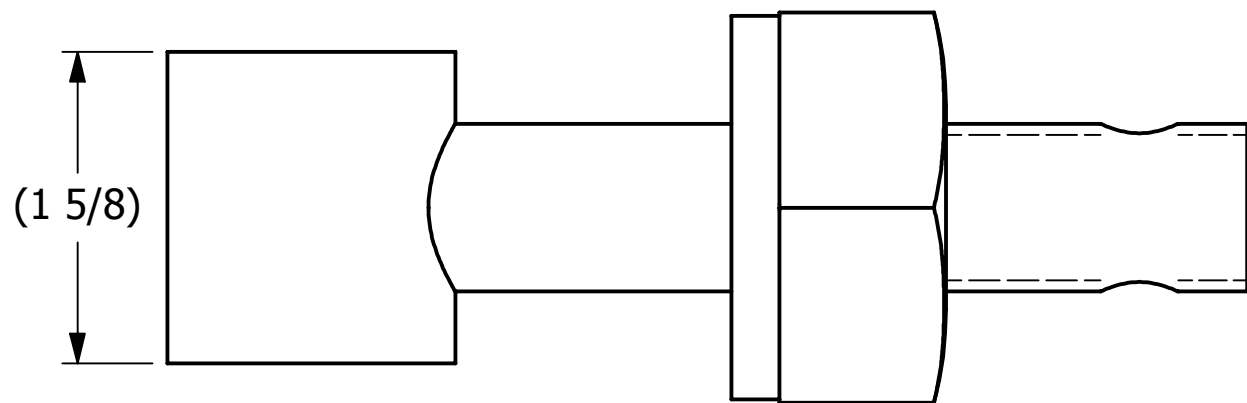
B

A

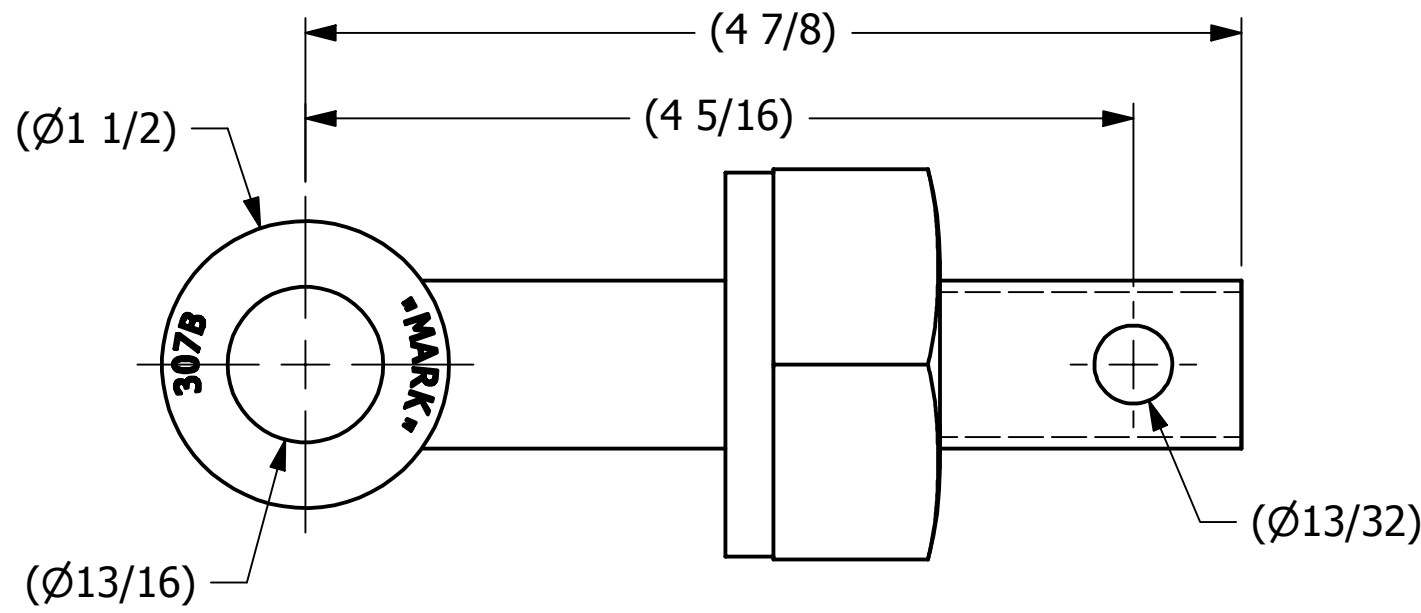
A

SALES DRAWING

SALES DRAWING



ISOMETRIC VIEW



A	BRG	6-23-08	EBR78478TH WAS 1045 STEEL
REV	BY	DATE	DESCRIPTION

<small>UNLESS OTHERWISE SPECIFIED DIMENSIONAL TOLERANCES</small> FRACTIONAL: ±1/16 X.XX: ±.03 X.XXX: ±.015 ANGULAR: ±1° <small>DEBURR ALL SHARP EDGES. ALL MACHINED SURFACES TO HAVE A 125 RMS FINISH UNLESS NOTED OTHERWISE.</small> <small>THIRD ANGLE PROJECTION</small>	DRAWN BY:	CHL
	CHECKED BY:	ACC
	PROTOTYPE BY:	CHL
	PROTOTYPE DATE:	7/23/2002
	APPROVED FOR PRODUCTION BY:	ACC
	PRODUCTION DATE:	7/23/2002

SALCO PRODUCTS, INC.		
PART NAME: EYEBOLT ASSEMBLY 7/8"X4 7/8"		
MATERIAL: CARBON STEEL		
PROJECT #: 020723	SHEET #: 1 OF 1	SCALE: 1:1
DRAWING #: B17130	PART #: EB78478THA	

THIS PRINT, PROPERTY OF SALCO PRODUCTS INC., CONTAINS PROPRIETARY INFORMATION AND MUST NOT BE COPIED, REPRODUCED, OR USED DETRIMENTALLY TO OUR INTEREST.

4

3

2

1

A

A

A